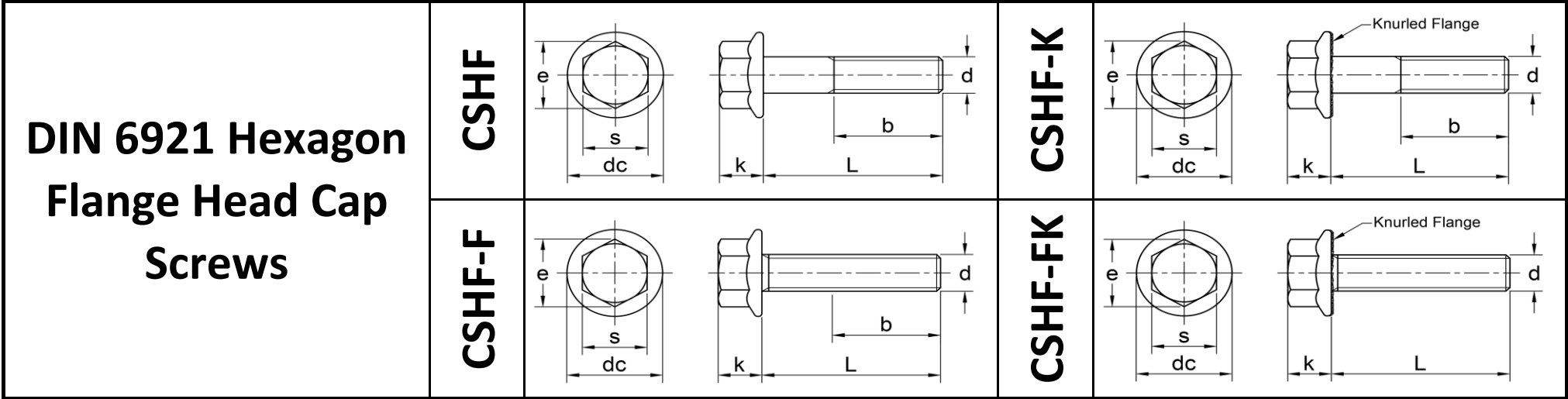


<b>CS</b>	<b>CAP SCREW</b>	<b>Part Number Designation</b>					
		<b>CSHF</b> ↓ Type	-	<b>M5</b> ↓ Thread Code	-	<b>10.0</b> ↓ Length	-
<b>CSHF</b>	<b>CAP SCREW - HEXAGON FLANGE</b>						



Unit: mm

Thread size	Thread code (d)	Type				Head			Length of Thread (b) Only Ref		Material	
		A part of Thread	Full Thread	A part of Thread (Knurled)	Full Thread (Knurled)	Across Flat (s)	Flange Diameter (dc) max	Height (k) max	L ≤ 125	125 < L ≤ 200	Symbol	Stand for
M5x0.8	M5	<b>CSHF</b>	<b>CSHF-F</b>	<b>CSHF-K</b>	<b>CSHF-FK</b>	7.78 - 8.00	11.8	5.4	16.0	-	SS	304/A2/18-8 Stainless Steel
M6x1.0	M6					9.78 - 10.00	14.2	6.6	18.0	-		
M8x1.25	M8					12.73 - 13.00	18.0	8.1	22.0	28.0	Zl8	Class 8 Steel zinc plated
M10x1.5	M10					14.73 - 15.00	22.3	9.2	26.0	32.0		
M12x1.75	M12					15.73 - 16.00	26.6	11.5	30.0	36.0		
M14x2.0	M14					17.73 - 18.00	30.5	12.8	34.0	40.0	Zl10	Class 10 Steel zinc plated
M16x2.0	M16					20.67 - 21.00	35.5	14.4	38.0	44.0		
<b>Length (L)</b>	10.0 ± 0.29					12.0 ± 0.35	16.0 ± 0.35	20.0 ± 0.42	25.0 ± 0.42	30.0 ± 0.42	35.0 ± 0.50	40.0 ± 0.50
	45.0 ± 0.50	50.0 ± 0.50	55.0 ± 0.60	60.0 ± 0.60	65.0 ± 0.60	70.0 ± 0.60	80.0 ± 0.60	90.0 ± 0.70				
	100.0 ± 0.70	110.0 ± 0.70	120.0 ± 0.70	130.0 ± 0.80	140.0 ± 0.80	150.0 ± 0.80	160.0 ± 0.80	180.0 ± 0.80				
	200.0 ± 1.00								<b>VXA010624</b>			