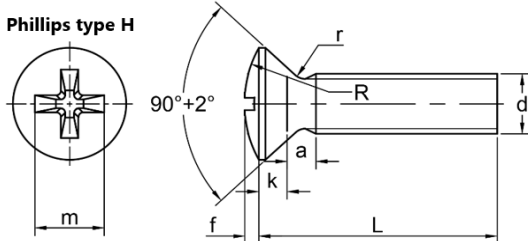
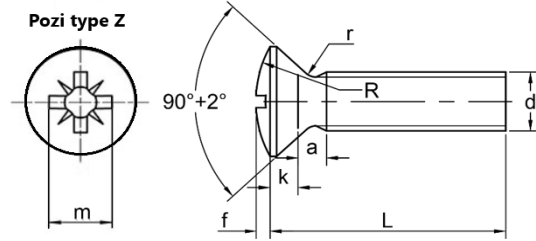


MS	MACHINE SCREW	Part Number Designation			
		MSFO-H	- M3	- 8.0	- ZI
MSFO	MACHINE SCREW - FLAT - OVAL HEAD	Type	Thread Code	Length	Material
DIN 966 Cross Recessed Raised Countersunk Oval Head Screws		MSFO-H		MSFO-Z	

Unit: mm

Thread size	Thread code (d)	Type		Head					Material	
		Type H	Type Z	Diameter (dk)	Height (k) max	Key size (m) ref	Max (a)	Height of len (f) ref	Symbol	Stand for
M1.6x0.35	M1.6	MSFO-H	MSFO-Z	2.75 - 3.0	0.96	1.9	0.7	0.4	SS	304/A2/18-8 Stainless Steel
M2x0.4	M2			3.5 - 3.8	1.2	2.5	0.8	0.5		
M2.5x0.45	M2.5			4.4 - 4.7	1.5	2.7	0.9	0.6		
M3x0.5	M3			5.3 - 5.6	1.65	3.1	1	0.75		
M3.5x0.6	M3.5			6.14 - 6.5	1.93	4.2	1.2	0.9		
M4x0.7	M4			7.14 - 7.5	2.2	4.5	1.4	1		
M5x0.8	M5			8.84 - 9.2	1.25	5.3	1.6	1.25		
M6x1.0	M6			10.57 - 11.0	1.5	6.8	2	1.5		
M8x1.25	M8			14.07 - 14.5	2	9	2.5	2		
M10x1.5	M10			17.57 - 18.0	2.5	10	3	2.5		
Length (L)		3.0 ± 0.2	10.0 ± 0.3	20.0 ± 0.4	35.0 ± 0.5	60.0 ± 1.0				
		4.0 ± 0.25	12.0 ± 0.35	22.0 ± 0.4	40.0 ± 0.5	-				
		5.0 ± 0.25	14.0 ± 0.35	25.0 ± 0.4	45.0 ± 0.5	-				
		6.0 ± 0.25	16.0 ± 0.35	28.0 ± 0.4	50.0 ± 0.5	-				
		8.0 ± 0.3	18.0 ± 0.35	30.0 ± 0.4	55.0 ± 1.0	100.0 ± 1.0			VXA010624	